

DC 75s

AGM DEEP CYCLE
12V | 75Ah | 100h



Electrical Specifications

Nominal voltage	12V
Capacity (25°C)	75Ah at C ₁₀₀
Internal resistance (25°C)	5.6mΩ
Temperature effect on capacity	104% at 40°C 100% at 25°C 83% at 0°C 65% at -15°C
Residual capacity after storage (25°C)	3 months: 91% 6 months: 82% 12 months: 65%
Constant charging voltage Cycle (25°C)	14.5 to 14.9V (initial charging current < 19.5A)
Float charge voltage (25°C)	13.6 to 13.8V

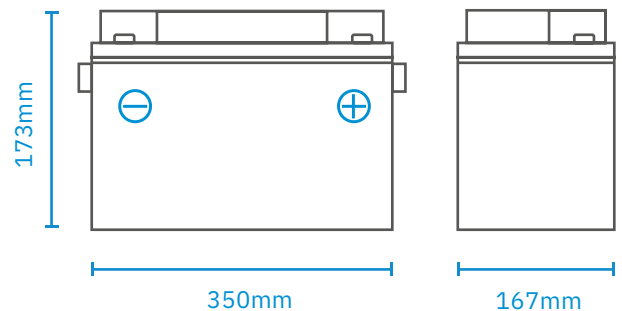
Discharge Specifications

Capacity C ₁₀₀	75Ah
Capacity C ₂₀	65Ah
Capacity C ₁₀	60Ah
Capacity C ₅	54Ah
Capacity C ₃	47Ah
Discharge current testing (25°C)	1h rate (35.7A) : 38Ah 3h rate (16.2A) : 52Ah

Mechanical Specifications

Measurements (L × W × H)	350 × 167 × 173mm
Approx. weight	23.3kg
Terminal type	T3

Measurements



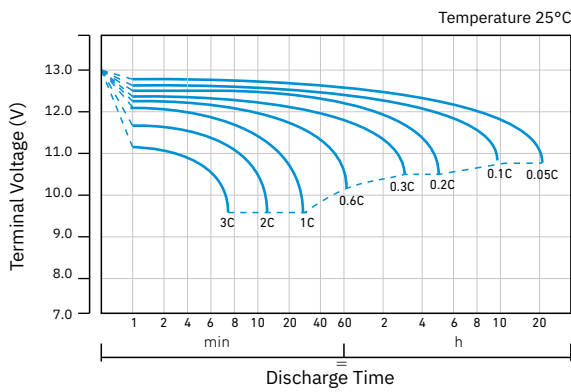
Constant Current Discharge Characteristics (A) 25°C

F.V. / Time	5 min	10 min	15 min	30 min	60 min	2 h	3 h	5 h	8 h	10 h	20 h
9.60V	207.1	144.4	111.1	67.7	41.4	23.9	16.9	11.8	8.0	6.7	3.6
10.2V	197.0	137.4	107.1	64.9	39.8	23.6	16.7	11.6	7.9	6.7	3.5
10.5V	191.9	133.3	104.0	63.6	38.9	23.4	16.5	11.5	7.9	6.6	3.5
10.8V	184.8	129.3	101.0	61.7	37.8	23.1	16.4	11.4	7.8	6.6	3.4

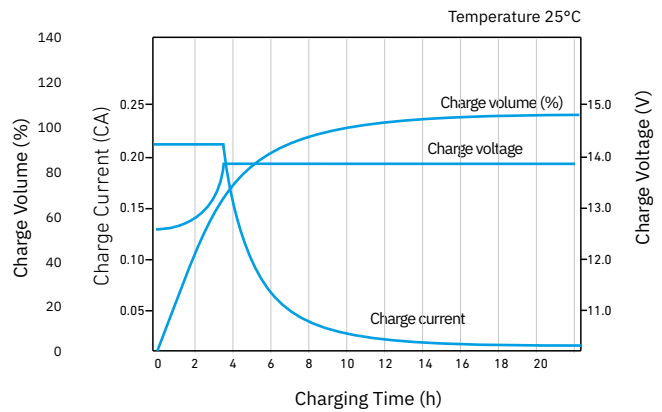
Constant Power Discharge Characteristics 25°C

F.V. / Time	5 min	10 min	15 min	30 min	60 min	2 h	3 h	5 h	8 h	10 h	20 h
9.60V	2174.5	1559.4	1220.1	759.5	471.7	276.7	198.0	139.4	94.8	80.2	42.2
10.2V	2065.5	1481.7	1170.6	729.2	453.5	272.7	195.9	137.4	94.0	79.6	41.8
10.5V	2015.0	1439.3	1141.3	713.1	442.4	270.7	193.9	136.4	93.5	78.7	41.4
10.8V	1941.2	1392.8	1113.0	692.9	430.3	267.7	192.7	135.3	92.6	78.4	41.2

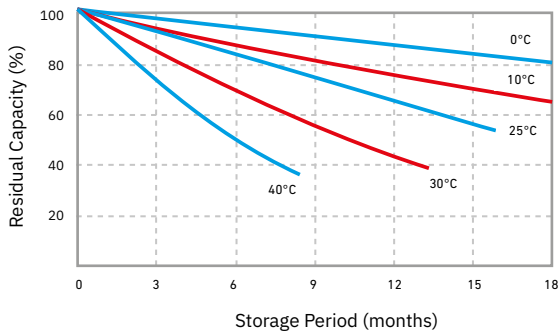
Discharge Characteristics Curve



Charge Characteristics Curve For Cycle Use (IU)



Residual Capacity



Float Life

