

DC 115sc

GEL DEEP CYCLE
12V | 115Ah | 100h



Electrical Specifications

Nominal voltage	12V
Capacity (25°C)	115Ah at C ₁₀₀
Internal resistance (25°C)	4.2mΩ
Temperature effect on capacity	104% at 40°C 100% at 25°C 83% at 0°C 65% at -15°C
Residual capacity after storage (25°C)	3 months: 91% 6 months: 82% 12 months: 65%
Constant charging voltage Cycle (25°C)	14.4 V (initial charging current < 30A)
Float charge voltage (25°C)	13.6 to 13.8V

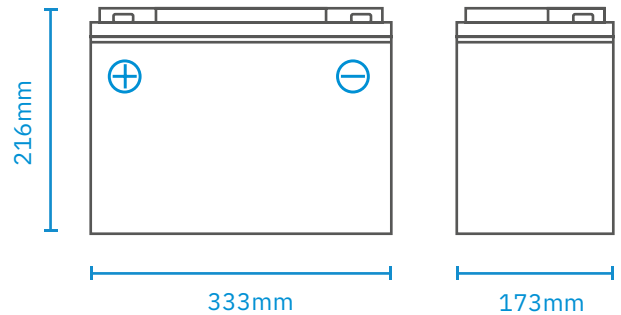
Discharge Specifications

Capacity C ₁₀₀	115Ah
Capacity C ₂₀	100Ah
Capacity C ₁₀	87Ah
Capacity C ₅	80Ah
Capacity C ₃	77Ah
Discharge current testing (25°C)	1h rate (55A) : 57Ah 3h rate (25A) : 77Ah

Mechanical Specifications

Measurements (L × W × H)	333 × 173 × 216mm
Approx. weight	30.9kg
Terminal type	T3

Measurements



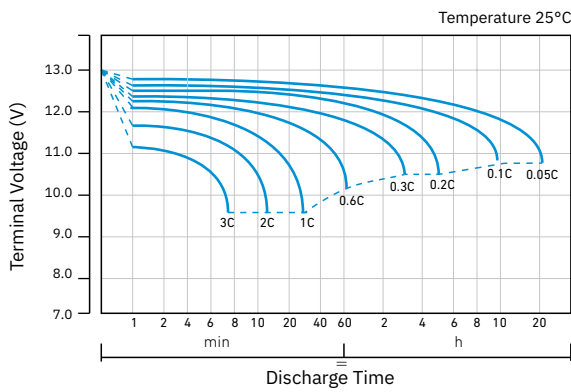
Constant Current Discharge Characteristics (A) 25°C

F.V. / Time	10 min	15 min	30 min	60 min	2 h	3 h	5 h	8 h	10 h	20 h
9.60V	217.8	173.3	106.9	61.1	36.1	26.1	18.3	12.1	10.1	5.1
10.2V	206.9	166.3	103.0	61.8	35.6	25.7	18.0	12.0	10.0	5.3
10.5V	201.0	162.4	100.0	60.5	35.3	25.5	17.8	12.0	10.0	5.3
10.8V	194.0	158.4	97.8	58.7	34.9	25.2	17.6	11.9	10.0	5.2

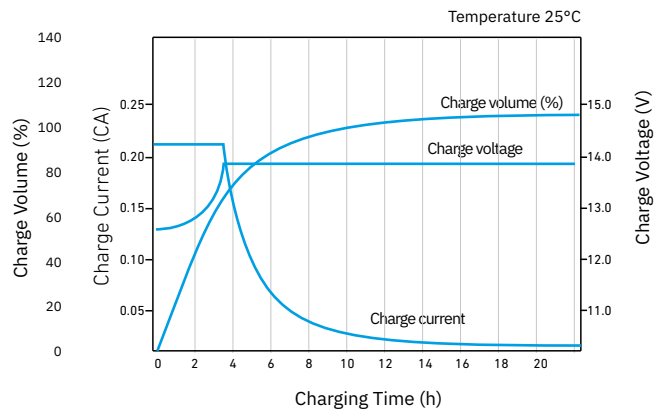
Constant Power Discharge Characteristics 25°C

F.V. / Time	10 min	15 min	30 min	60 min	2 h	3 h	5 h	8 h	10 h	20 h
9.60V	2352.2	1902.8	1199.9	733.6	418.8	306.9	216.8	144.5	121.8	64.3
10.2V	2234.4	1826.6	1155.3	703.9	412.8	302.9	212.9	143.9	120.8	63.6
10.5V	2170.1	1782.0	1145.4	699.9	408.9	300.0	209.9	143.6	119.8	63.4
10.8V	2095.8	1739.4	1097.9	669.2	404.9	297.0	207.9	142.6	118.2	63.0

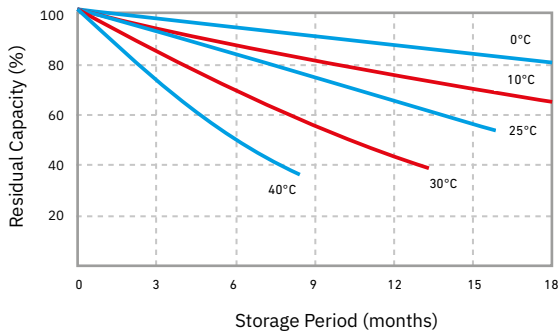
Discharge Characteristics Curve



Charge Characteristics Curve For Cycle Use (IU)



Residual Capacity



Float Life

