



DC 120

AGM DEEP CYCLE
12V | 120Ah | 100h



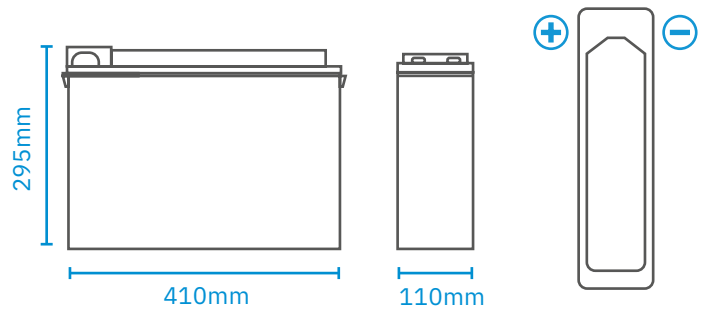
Electrical Specifications

Nominal voltage	12V
Capacity (25°C)	100Ah @ C ₁₀ (10A)
Internal resistance (25°C)	5.5mΩ
Temperature Effect on Capacity	104% at 40°C 100% at 25°C 83% at 0°C 65% at -15°C
Residual capacity after storage (25°C)	3 months: 91% 6 months: 82% 12 months: 65%
Constant charging voltage Cycle (25°C)	14.5 to 14.9V (initial charging current < 30A)
Constant charging voltage Float (25°C)	13.6 to 13.8V

Discharge Specifications

Capacity C ₁₀₀	120Ah
Capacity C ₂₀	110Ah
Capacity C ₁₀	100Ah
Capacity C ₅	92Ah
Capacity C ₃	80Ah
Discharge Current Testing (25°C)	1 hours rate (55A): 60Ah 3 hours rate (25A): 80Ah

Measurements



Mechanical Specifications

Measurements (L × W × H)	410 × 110 × 295 mm
Approx. Weight	31.7kg
Terminal Type	T2

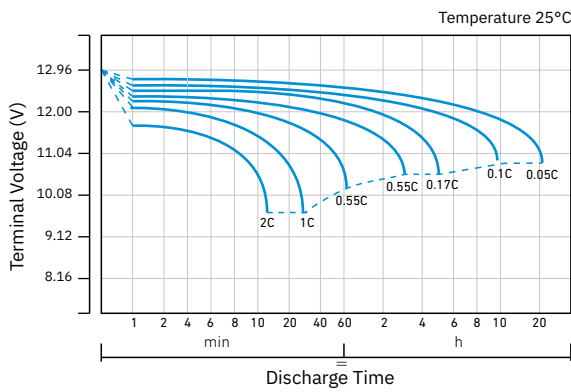
Constant Current Discharge Characteristics (A) 25°C

F.V. / Time	10 min	15 min	30 min	60 min	2 h	3 h	5 h	8 h	10 h	20 h
9.60V	219.6	178.3	107.5	60.7	36.6	26.8	18.4	12.3	10.2	5.5
10.2V	203.9	167.2	103.5	58.1	35.8	25.9	17.8	12.1	10.1	5.3
10.5V	189.7	156.8	98.6	56.8	35.3	25.4	17.4	12.0	10.0	5.2
10.8V	173.2	150.1	94.2	55.2	34.3	24.8	16.9	11.9	10.0	5.2

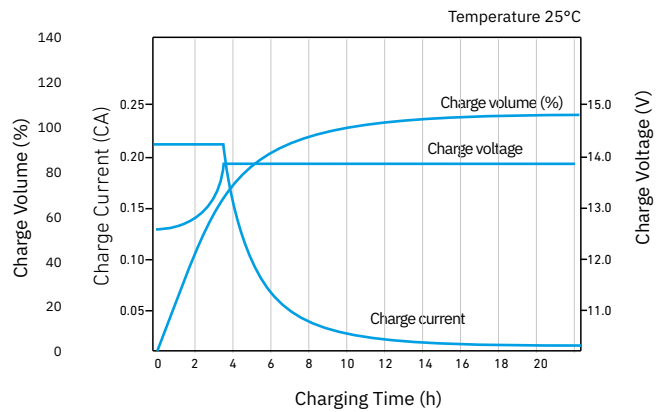
Constant Power Discharge Characteristics 25°C

F.V. / Time	10 min	15 min	30 min	60 min	2 h	3 h	5 h	8 h	10 h	20 h
9.60V	2393.6	1961.3	1203.6	692.0	420.9	310.9	215.4	145.1	122.4	64.5
10.2V	2263.3	1872.2	1169.3	662.3	411.9	300.1	208.3	142.8	121.4	63.9
10.5V	2124.6	1771.8	1124.0	653.2	413.0	297.2	205.3	143.3	120.4	63.7
10.8V	1957.2	1711.1	1083.3	634.8	401.3	290.2	199.4	142.1	119.4	63.3

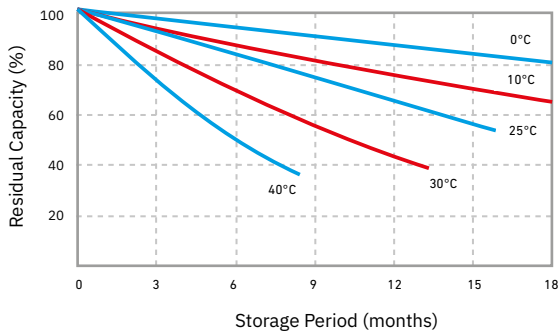
Discharge Characteristics Curve



Charge Characteristics Curve For Cycle Use (IU)



Residual Capacity



Float Life

