



DC 60

AGM DEEP CYCLE
12V | 60Ah | 100h



Electrical Specifications

Nominal voltage	12V
Capacity (25°C)	55Ah @ C ₂₀ (2.75A)
Internal resistance (25°C)	7.5mΩ
Temperature Effect on Capacity	104% at 40°C 100% at 25°C 83% at 0°C 65% at -15°C
Residual capacity after storage (25°C)	3 months: 91% 6 months: 82% 12 months: 65%
Constant charging voltage Cycle (25°C)	14.5 to 14.9V (initial charging current < 16.5A)
Constant charging voltage Float (25°C)	13.6 to 13.8V

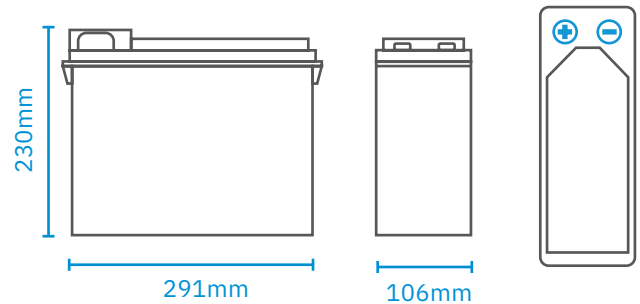
Discharge Specifications

Capacity C ₁₀₀	60Ah
Capacity C ₂₀	55Ah
Capacity C ₁₀	48Ah
Capacity C ₅	44Ah
Capacity C ₃	42Ah
Discharge Current Testing (25°C)	20 I ₂₀ rate (55A, 27min): 33min 60 I ₂₀ rate (165A, 7min): 9min

Mechanical Specifications

Measurements (L × W × H)	291 × 106 × 230 mm
Approx. Weight	15.7kg
Terminal Type	T6

Measurements



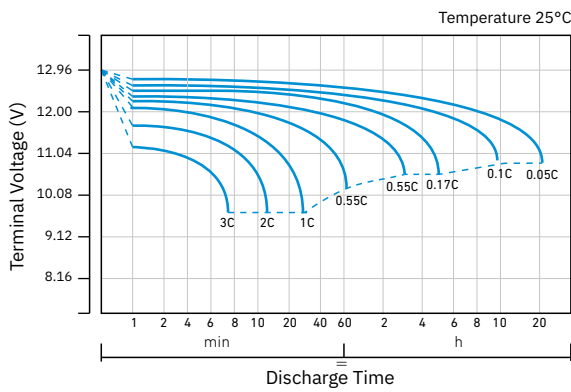
Constant Current Discharge Characteristics (A) 25°C

F.V. / Time	10 min	15 min	30 min	60 min	2 h	3 h	5 h	8 h	10 h	20 h
9.60V	126.7	99.2	59.4	35.6	19.9	14.6	9.8	6.6	5.5	2.7
10.2V	113.2	95.1	56.9	34.3	19.6	14.4	9.7	6.6	5.5	2.7
10.5V	105.7	90.6	55.7	33.5	19.4	14.3	9.6	6.5	5.4	2.6
10.8V	96.6	85.4	53.9	32.5	19.2	14.1	9.5	6.5	5.3	2.6

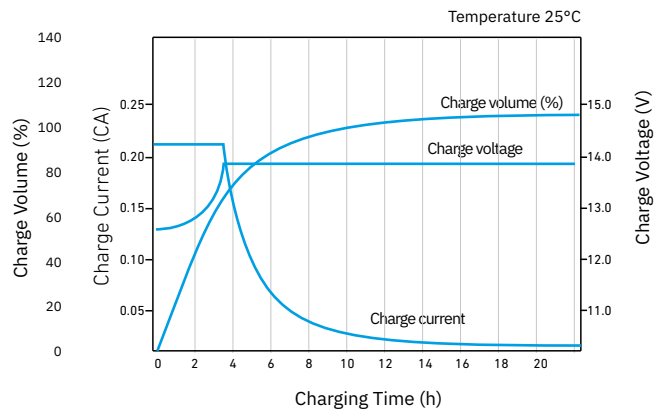
Constant Power Discharge Characteristics 25°C

F.V. / Time	10 min	15 min	30 min	60 min	2 h	3 h	5 h	8 h	10 h	20 h
9.60V	1381.0	1091.2	665.3	406.3	228.8	168.8	114.7	78.3	64.9	32.6
10.2V	1256.5	1065.1	643.0	390.5	225.4	166.5	113.5	77.6	64.6	32.1
10.5V	1183.8	1023.8	635.0	384.8	227.0	166.8	113.3	77.8	59.5	31.4
10.8V	1091.6	973.6	619.9	373.4	224.7	164.5	112.1	76.9	64.3	30.8

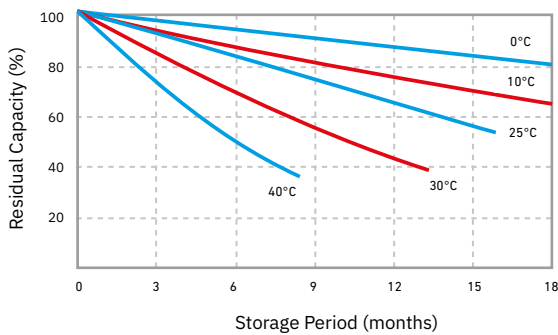
Discharge Characteristics Curve



Charge Characteristics Curve For Cycle Use (IU)



Residual Capacity



Float Life

