

# DC 60

**GEL DEEP CYCLE**  
12V | 60Ah | 100h



## Electrical Specifications

Nominal voltage	12V
Capacity (25°C)	55Ah @ C <sub>20</sub> ( 2.75A)
Internal resistance (25°C)	6.5mΩ
Temperature Effect on Capacity	104% at 40°C 100% at 25°C 83% at 0°C 65% at -15°C
Residual capacity after storage (25°C)	3 months: 91% 6 months: 82% 12 months: 65%
Constant charging voltage Cycle (25°C)	14.5 to 14.9V (initial charging current < 16.5A)
Constant charging voltage Float (25°C)	13.6 to 13.8V

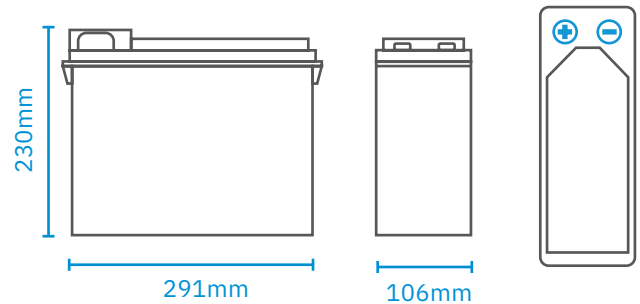
## Discharge Specifications

Capacity C <sub>100</sub>	60Ah
Capacity C <sub>20</sub>	55Ah
Capacity C <sub>10</sub>	48Ah
Capacity C <sub>5</sub>	44Ah
Capacity C <sub>3</sub>	42Ah
Discharge Current Testing (25°C)	20 I <sub>20</sub> rate (55A, 27min): 33min 60 I <sub>20</sub> rate (165A, 7min): 9min

## Mechanical Specifications

Measurements (L × W × H)	291 × 106 × 230 mm
Approx. Weight	15.7kg
Terminal Type	T6

## Measurements



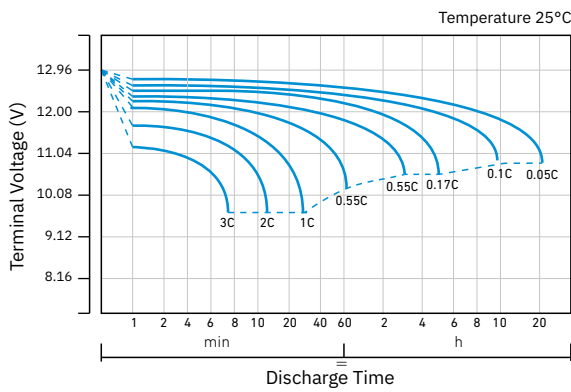
## Constant Current Discharge Characteristics (A) 25°C

F.V. / Time	5 min	10 min	15 min	30 min	60 min	2 h	3 h	5 h	8 h	10 h	20 h
<b>9.60V</b>	178.2	128.7	99.0	61.4	35.6	19.9	14.6	9.9	6.6	5.5	2.9
<b>10.2V</b>	169.3	122.8	95.0	58.9	34.3	19.6	14.4	9.8	6.6	5.5	2.9
<b>10.5V</b>	167.3	120.8	93.2	57.7	33.5	19.4	14.3	9.7	6.5	5.5	2.8
<b>10.8V</b>	159.4	114.8	90.3	55.9	32.5	19.2	14.1	9.6	6.5	5.4	2.8

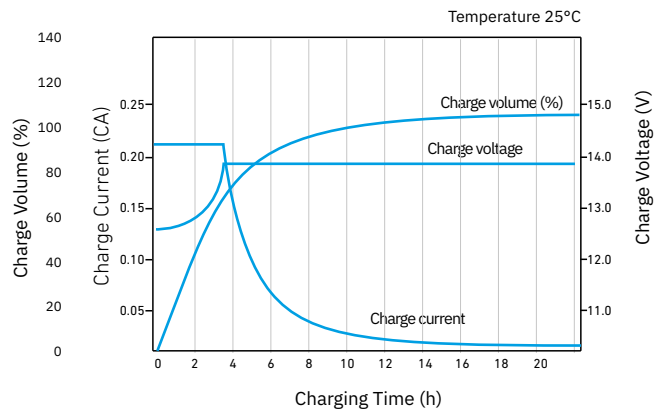
### Constant Power Discharge Characteristics 25°C

F.V. / Time	5 min	10 min	15 min	30 min	60 min	2 h	3 h	5 h	8 h	10 h	20 h
<b>9.60V</b>	1880.6	1397.0	1092.5	692.5	408.0	230.8	172.1	117.4	79.2	66.3	34.5
<b>10.2V</b>	1787.0	1327.3	1048.7	664.7	392.0	227.9	170.1	116.4	78.5	65.7	34.8
<b>10.5V</b>	1765.1	1310.4	1027.8	650.7	698.5	224.9	168.2	115.4	78.0	65.6	34.3
<b>10.8V</b>	1679.6	1247.7	996.0	630.8	372.1	222.9	166.2	114.4	77.1	65.4	34.0

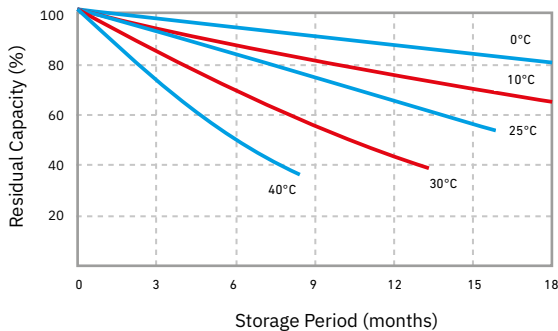
Discharge Characteristics Curve



Charge Characteristics Curve For Cycle Use (IU)



Residual Capacity



Float Life

