



# MSP 140 SolarModule

140W | 26.90V | Monocrystalline



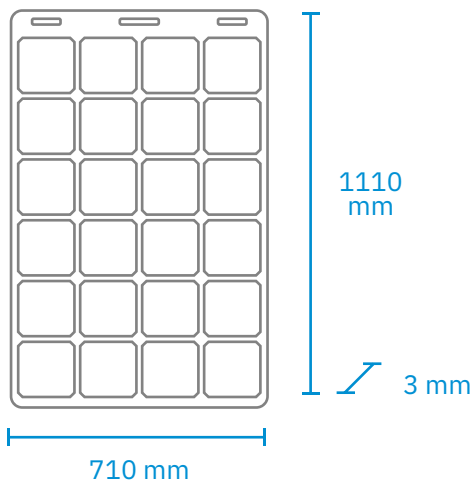
## Electrical Specifications

Rated power	140W
Rated voltage (Umpp)	26.90V
Rated current (Impp)	5.20A
Open-circuit voltage (UoC)	32.30V
Short-circuit current (Isc)	5.70A
Efficiency	22%

## Technical Specifications

Temperature range	- 40°C to + 85°C
Solar cells	Monocrystalline
Number of cells	48
Dimensions	1110 × 710 × 3mm
Weight	2.60kg
Junction box	IP65 rated
Cable length	350mm
Connectors	MC4

## Dimensions



## Flexibility

**FLEX** Solar modules of the ECTIVE MSP FLEX Series are lightweight as well as easy to handle and install. Due to their extreme flexibility, these high quality modules can be easily mounted on curved surfaces such as the top of a caravan or campervan.

## The Right Solar Charge Controller

Charge your batteries efficiently, safely and quickly with an ECTIVE solar charge controller. Use this overview to find out which controller best suits your project, depending on how many solar panels you intend to use:

- 1 panel:** ECTIVE DSC 12
- 2 panels:** ECTIVE DSC 25
- 3 panels:** ECTIVE SC 40
- 4 panels:** ECTIVE SC 40 (bei 24 V Batterien)